

**MANUAL – INSTALLATION + SERVICE**

---

# **Underfloor Blank-off**

UFB Series

v001 – Issue Date: 06/06/18

© 2018 Price Industries Limited. All rights reserved.

**PRICE**<sup>®</sup>

# UNDERFLOOR BLANK-OFF

## INSTALLATION INSTRUCTIONS

**STEP 1:** Remove end-caps from installed plenums.

**STEP 2:** Field-cut blank-off sections to desired lengths to create continuous trough.

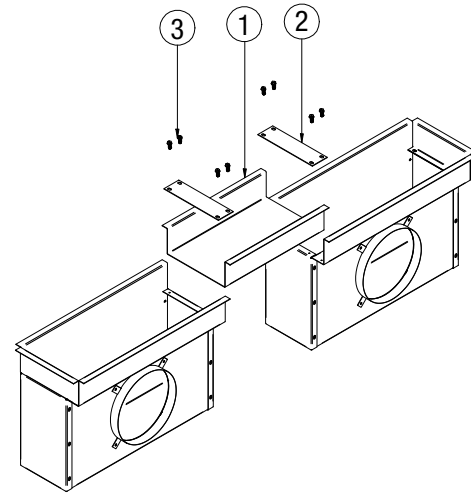
**STEP 3:** Place blank-offs in floor opening up against installed plenums.

**OPTIONAL:** In the case of pedestal mounting, brackets will have been shipped loose to be attached as-needed in the field. We recommend installing brackets a maximum of 12 in. apart. Once attached, pedestal heads can be slid into the brackets without the use of any tools. Attach to pedestals and adjust height to level with finished floor.

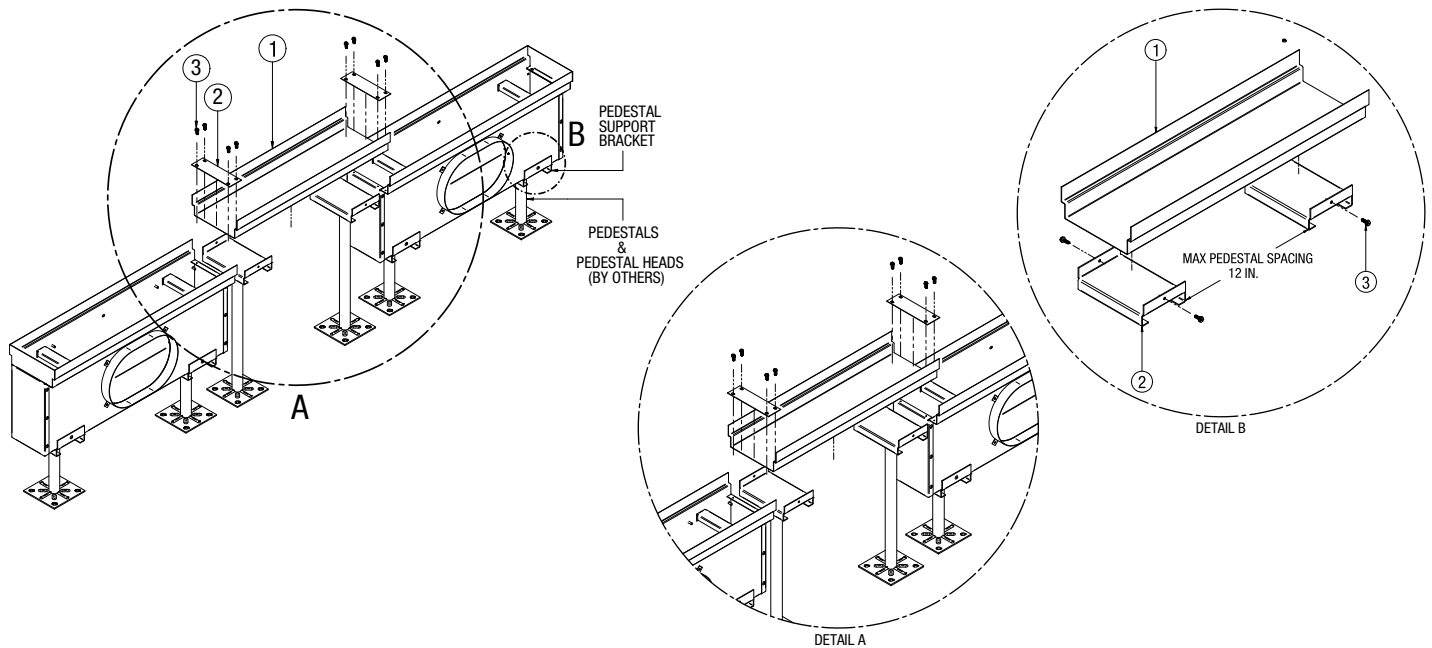
**STEP 4:** Screw connector plates onto plenums, and then on

**STEP 5:** Once attached, seal all joints to prevent underfloor plenum leakage into the space.

**FIGURE 1: BLANK-OFF - FLOOR TILE ASSEMBLY ▼**



**FIGURE 2: BLANK-OFF - PEDESTAL ASSEMBLY ▼**



**Table 1**

Item #	Description
1	Blank-off x 1
2	Connector Plate x 2
3	Screws (by others) x 8

---

This document contains the most current product information as of this printing.  
For the most up-to-date product information, please go to [priceindustries.com](http://priceindustries.com).

© 2018 Price Industries Limited. All rights reserved.

**PRICE**<sup>®</sup>